

RESIDENTIAL



EASE OF INSTALLATION AND SERVICEABILITY

- Compact Design to Save Space
- Wi-Fi Technology for Remote Monitoring and Management
- Simple Gas Conversion

OPTIONAL ACCESSORIES

ScaleCutter, Additional Controllers, Recess Box, Pipe Cover, EZConnect™ Cables, Control-R™ Wi-Fi Module, Wireless Accessories, and many more.

Visit rinnai.us for a complete list of accessories.

HIGH-EFFICIENCY (NON-CONDENSING) TANKLESS WATER HEATER

Installation Type	External (Outdoor) Residential Applications; Certified for installation in Manufactured (Mobile) Homes
Model Number	V75e (REU-VC2528W-US)
Approved Gas Types	Natural and Propane
High Altitude Approved	Up to 10,200 ft. (3,109 m)
Water Flow Control	Water Flow Sensor, Electronic Water Control and Fixed Bypass Control
Uniform Energy Factor (UEF)	0.81
Energy Factor (For Canada)	0.82
Controller	Included: MC-91-2US Optional: MC-100V-1US (Deluxe), BC-100V-1US (Bathroom), MCC-91-2US (Hydronic Applications), Control-R™ Wi-Fi Module
Certifications	AHRI, ANSI Z21.10.3, and CSA 4.3

Warranty

- Heat Exchanger: 10 years* for residential and hydronic applications, increased to 12 years* if installed with an isolation valve kit
- All Other Parts and Components: 5 Years*
- Reasonable Labor: 1 Year

* 3 years if used as a circulation water heater within a circulation loop when the water heater is in series with a circulation system and all circulating water flows through the water heater. Refer to the Tankless Water Heater Installation and Operation manual for complete warranty information.

Safety Devices

Flame Failure - Flame Rod, Boiling Protection, Combustion Fan RPM Check, Over Current - Glass Fuse, Remaining Flame (OHS), Thermal Fuse and Automatic Frost Protection

Included with Purchase

Tankless Water Heater and MC-91-2 Temperature Controller

Additional Features

- Complies with South Coast Air Quality Management District 14 ng/J or 20 ppm NOx Emission Levels
- Ultra Low NOx
- 1/2 in. (13 mm) Gas Line Compatible
- Wi-Fi Capable



CERTIFIED TO ANSI Z21.10.3 – CSA 4.3

TECHNICAL SPECIFICATIONS

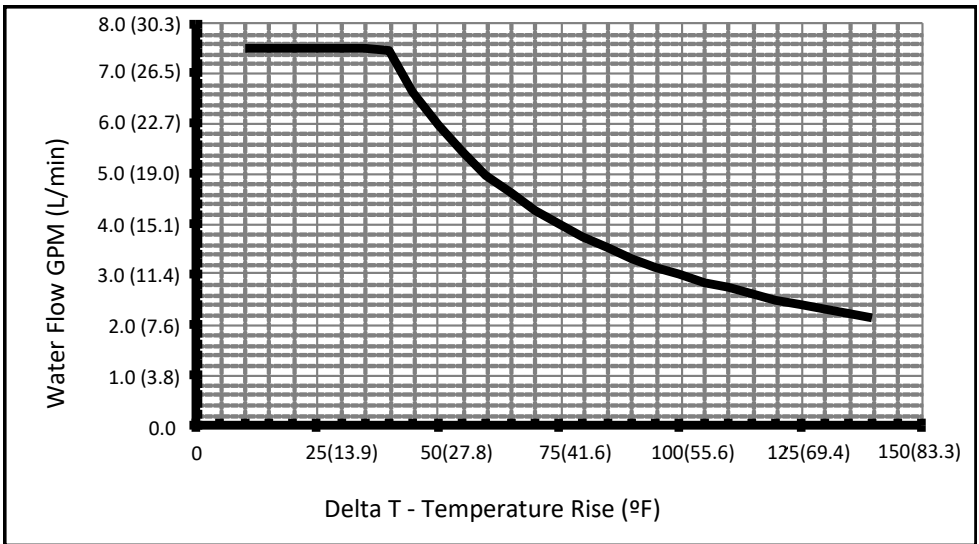
SPECIFICATION		V75e
Dimensions - w, h, d		14.04 in. x 22.95 in. x 9.27 in. (356.6 mm x 583 mm x 235.5 mm)
Minimum Gas Consumption Btu/h		10,300
Maximum Gas Consumption Btu/h		180,000
Flow Rate ¹ (Min - Max)		0.26 - 7.5 GPM (1.0 - 28.4 L/min)
Weight		43.6 lbs. (19.8 kg.)
Sound Level		55 dB
Electrical	Normal	57 W
	Standby	2 W
	Freeze Protection	104 W
	Max	4 Amps
	Fuse	10 Amps
Temperature (with remote)		98° - 120° F (37°C - 49°C) (factory default) 98° - 160° F (37° - 71° C) available with the MCC-91-2 controller for hydronic applications
Temperature (without remote)		120° F (49°C) (factory default) or 140° F (60°C)
Gas Supply Pressure ²		<ul style="list-style-type: none"> Natural: 4 in. w.c. - 10.5 in. w.c. (10 mbar – 26.1 mbar) Propane: 8 in. w.c. - 13.5 in. w.c. (20 mbar – 33.6 mbar)
Ignition System		Direct Electronic Ignition
Electronic Connections		<ul style="list-style-type: none"> Appliance: AC 120 Volts, 60Hz. Temperature Controller: DC 12 Volts (Digital)
Water Supply Pressure		<ul style="list-style-type: none"> Minimum: 20 PSI (Recommended 30-80 PSI for max performance) Maximum: 150 PSI
Controller Cable		Non-Polarized Two Core Cable (Minimum 22 AWG)
Service Connections		<ul style="list-style-type: none"> Gas Supply: 3/4 in. (19 mm) NPT Cold Water Inlet: 3/4 in. (19 mm) NPT Hot Water Outlet: 3/4 in. (19 mm) NPT
Clearances from Combustibles		<ul style="list-style-type: none"> Top: 12 in. (305 mm) Bottom/Ground: 12 in. (305 mm) Front (Panel): 24 in. (610 mm) Back: 0 in. Sides: 6 in. (152 mm) Front (Exhaust): 24 in. (610 mm)
Clearances from Non-Combustibles		<ul style="list-style-type: none"> Top: 2 in. (51 mm) Bottom/Ground: 2 in. (51 mm) Front (Exhaust): 24 in. (610 mm) Back: 0 in. Sides: 1/8 in. (3.2 mm) Front (Panel): 0 in.*

* Clearance for servicing is 24 in. (610 mm) in front of water heater

¹ Minimum flow may vary slightly depending on the temperature setting and the inlet water temperature. Minimum activation flow is 0.4 GPM (1.5 L/min).

² The maximum gas supply pressure must not exceed the value specified by the manufacturer.

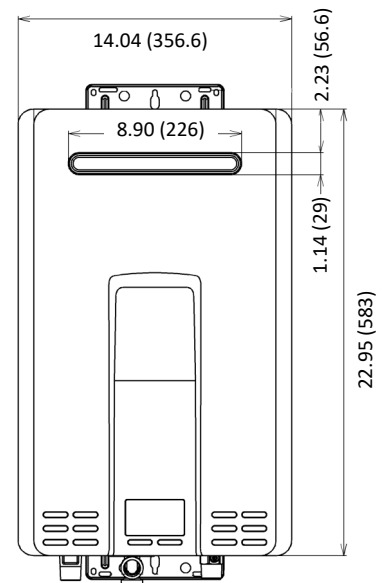
WATER FLOW CURVE



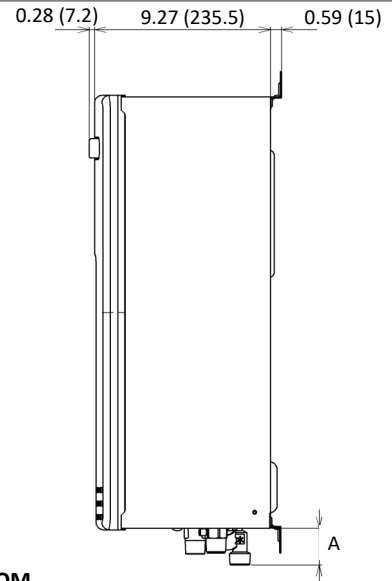
DIMENSIONS

in. (mm)

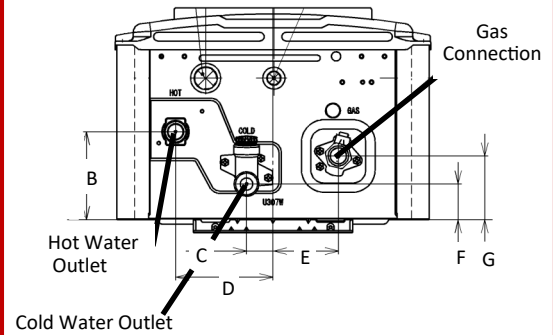
FRONT



SIDE



BOTTOM



DIMENSION	Inches (mm)	DIMENSION	Inches (mm)
A (GAS)	1.31 (33.2)	D	4.33 (110)
A (COLD)	1.93 (49)	E	2.91 (73.8)
A (HOT)	1.35 (34.4)	F	1.61 (40.8)
B	3.96 (100.7)	G	2.87 (73)
C	1.17 (29.8)		